



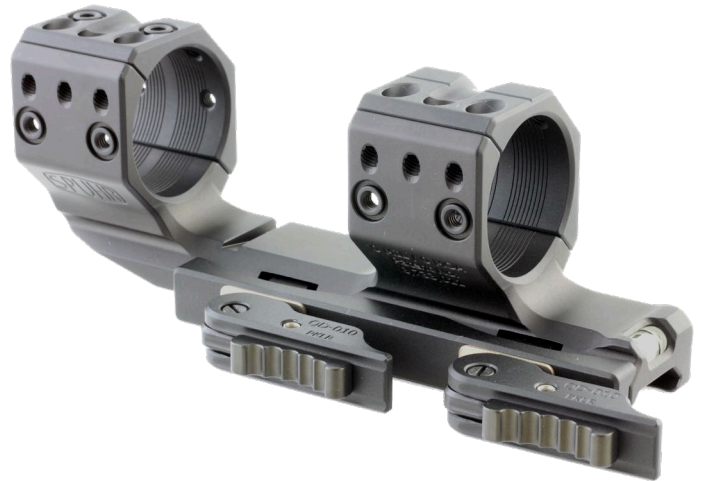
QDP-4046

Cantilever Scope Mount $\varnothing 34$ H34mm/1.35" 0MIL

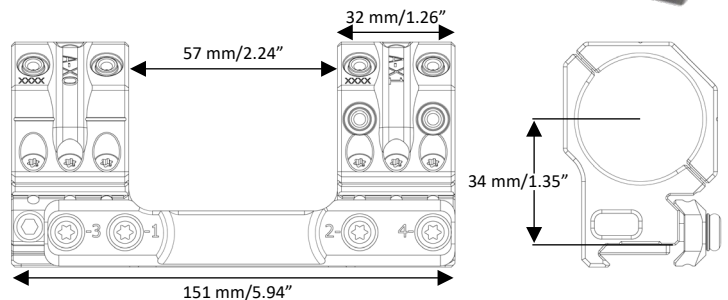
QDP

Quick detachable mount for AR-style rifles

Rings: 34 mm
Tilt: 0 MIL/MOA
Height: 34 mm/1.35"
Length: 151 mm/5.94" (mount body only)
Weight: 268 g/9.5 oz
Interfaces: 8 sets
EAN: 7340150705138



The **IDEAL SCOPE MOUNT SYSTEM** series of mounts feature **seven set of interfaces** to attach any of more than 40 different accessories and has a bubble level integrated in the rear plane of the mount body to prevent canting of the rifle. The rings are diagonally cut for increased visibility of the elevation and windage turrets (US Patent 8,733,011).



The mounts are machined from billet 7000 series aluminum and all aluminum parts are hardcoat anodized. The Torx 20 ring screws are zinc-nickel coated for corrosion resistance and come pre-waxed from the factory to ensure proper torque values. The levers can be adjusted for tension.

The mount is shipped with a manual and a "wedge" leveling key.

NOTE:

The QDP-4046 is designed for use on AR15/AR10 rifles with MIL-STD-1913 or STANAG 4694 rails. The QDP-4046 will fit most 34 mm scope tubes except for scopes with extended erector housings, such as the US Optics TPAL/EREK and the Nightforce BEAST.

CONTACT

Spuhr i Dalby AB

Phone: +46 46 712 012

Web: www.spuhr.com

Address: Terminalvägen 19
SE-246 42 Löddeköpinge
Sweden